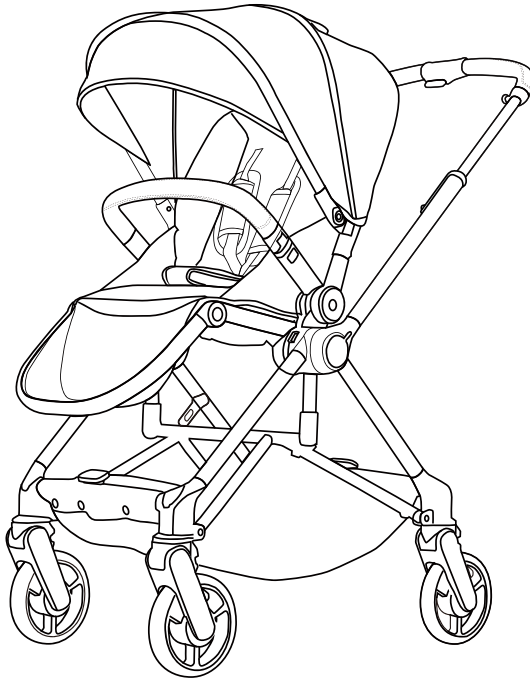


# MyBabiie®

For little people who dream big

## MB180 Reversible Pushchair Instructions



**Please always read all the instructions provided carefully before use, and keep the care and maintenance instruction for further reference.**

**IMPORTANT! KEEP FOR FUTURE REFERENCE**

# Get to know your MB180 Reversible Pushchair

---

Scan the QR code below on your camera app to be linked off to our page to get all the information you need for using your MB180 Reversible Pushchair. From setting it up to how to fold it down, it's all there!



SCAN ME



# Safety & care notes

---

## **IMPORTANT, RETAIN FOR FUTURE REFERENCE: READ CAREFULLY**

---

Please read these instructions carefully before use and keep them for later reference.

Remove all packaging and non-permanent labels and dispose of safely before using this product. The safety of your child could be put at risk if you do not follow these instructions.

This stroller is designed for 1 child from 0 months up to a weight of 22 kg.

**WARNING:** Never leave the child unattended.

**WARNING:** Uneven or excessive loading of items on or in the stroller may cause the product to tip and may cause injury.

**WARNING:** Maximum intended weight within the shopping basket is 3kg.

**WARNING:** Ensure that all the locking devices are engaged before use.

**WARNING:** To avoid injury ensure that the child is kept away when unfolding and folding this stroller.

**WARNING:** Do not let the child play with this product.

**WARNING:** Always use the restraint system.

**WARNING:** Check that the stroller body is correctly engaged before use.

**WARNING:** Do not put hot drinks or liquids in the cup holder.

**WARNING:** This product is not suitable for running or skating.

**WARNING:** Do not insert any additional mattresses into the stroller.

**WARNING:** Accessories which are not approved by the manufacturer shall not be used.

**WARNING:** This pushchair has been designed for one child and shall be used for the transport for only one child!

**WARNING:** Always use the crotch strap in combination with the waist belt.

**WARNING:** This stroller does not replace a cot or a bed. Should your child need to sleep, then it should be placed in a suitable cot or bed.

**WARNING:** Only replacement parts supplied or recommended by My Babiie shall be used.

**WARNING:** Any load attached to the handle and on the back of the backrest and on the sides of the stroller will affect the stability of the stroller.

**WARNING:** The parking device shall be engaged when placing and removing the children.

- EN1888-1 & 2:2018 approved

### **Care and Maintenance**

- Please check on a regular basis that the brakes, wheels, latches, connecting elements, belt systems and seams are properly functional.
- Do not expose the stroller to strong sunshine.
- Sponge clean only.
- After use in rain or snow, the wheels should be lubricated and the stroller dried to prevent rust.
- Care for, clean and check this stroller regularly.
- Do not use accessories that have not been approved by the manufacturer.

---

### **Your child's safety is your responsibility**

If you have a problem with this product or require replacement parts, please visit [www.mybabiie.com/support](http://www.mybabiie.com/support)

**Register your product at: [www.mybabiie.com/warranties](http://www.mybabiie.com/warranties)**

# Safety & care notes

---

## MAINTENANCE

This stroller should be regularly checked by the person using it.

- Clean the plastic and metal parts of your stroller with a damp cloth and dry them immediately
- Use only mild cleaning products.
- The textile parts should be wiped clean with a damp cloth (do not machine wash). Use only a mild detergent. DO NOT USE BLEACH. Dry in the shade.
- Regularly check screws, rivets and bolts. Replace any parts which may have become worn.
- Prolonged exposure to direct sunlight may prematurely discolour the stroller fabric.

PLEASE NOTE! It is not recommended to use your stroller in sea water or over sand.

PLEASE NOTE! Always rinse parts in contact with salt and sand, in particular the wheels, the springs and the rivets (including after rolling on snowy/salted pavements).

**WARNING:** Only use parts recommended by the manufacturer.

**WARNING:** Never use the stroller if it is damaged or broken.

**WARNING:** No additional mattress shall be added unless recommended by the manufacturer.

---

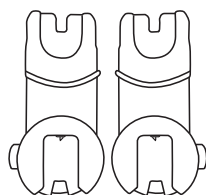
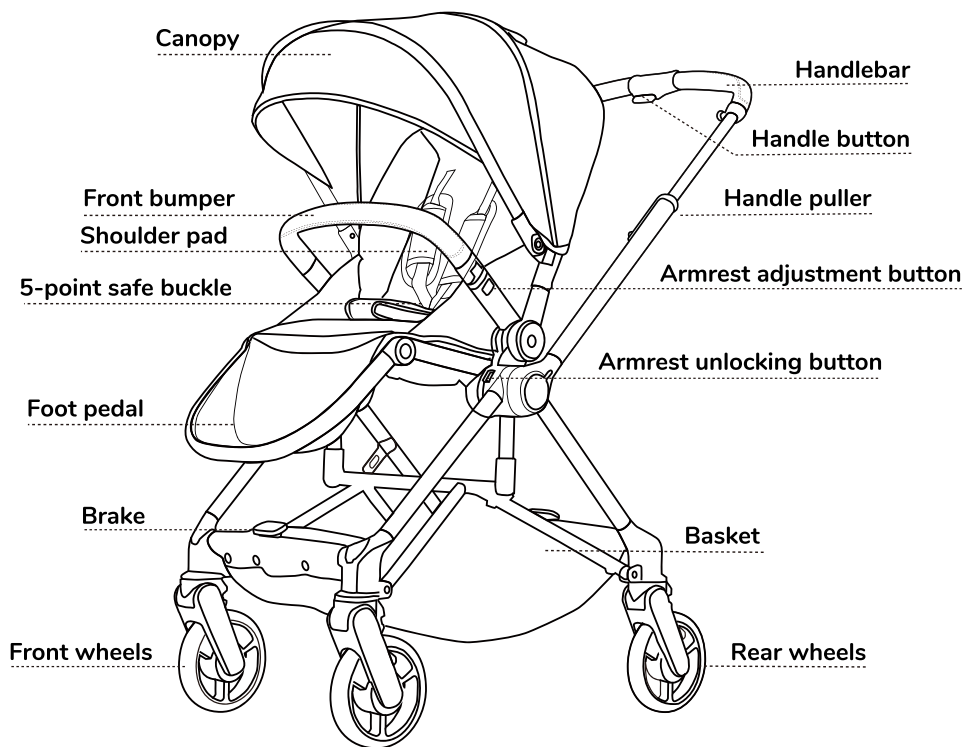
### **Your child's safety is your responsibility**

If you have a problem with this product or require replacement parts, please visit [www.mybabiie.com/support](http://www.mybabiie.com/support)

**Register your product at: [www.mybabiie.com/warranties](http://www.mybabiie.com/warranties)**

# COMPONENTS

---

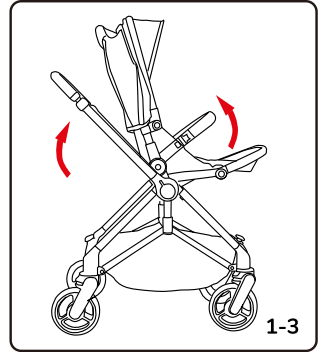
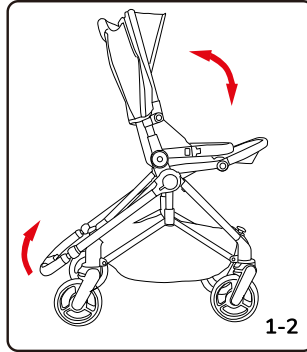
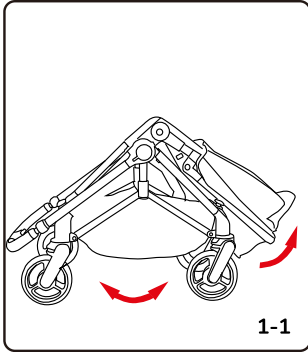


Car seat Adaptors x 2

# ASSEMBLY INSTRUCTIONS

## 1. Open frame

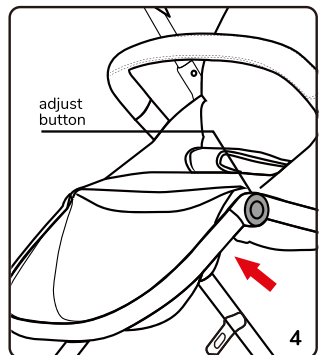
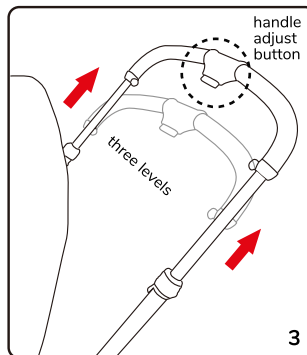
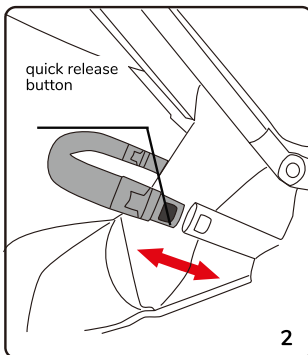
Take out the stroller and expand the front and rear wheel sets (pic1-1); Lift the seat back to open it (pic1-2); Lift the front bumper until it locks into place; The frame can be opened by pinching the handle button and lifting the handle (pic1-3) .



2. Insert the front bumper to the seat on both side(pic2), pull up the front bumper after installed, make sure it is in place. When disassembling, press the quick release button of the armrest with both hands ,You can remove the front it.

3. When adjust the height of the handle, hold the handle button to adjust freely in three gears, adjust it to the appropriate gear and release button(pic3).

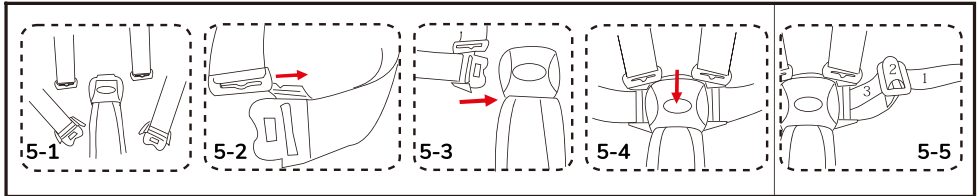
4. When you want to adjust the foot angle, press the adjust button with both hands to adjust the foot rest (pic4).



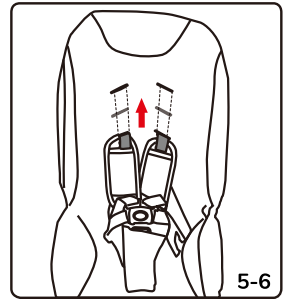
# ASSEMBLY INSTRUCTIONS

## 5. Use of seat belt:

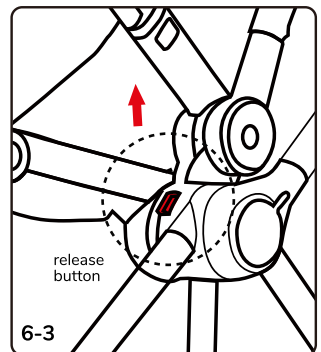
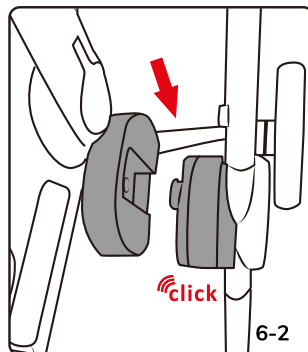
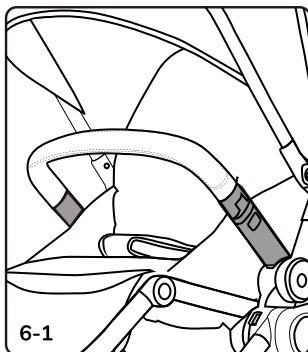
- 1) Belt fix method: As pic (5-1) to (5-3). Release the safety belt, press the middle of plastic to release the safety belt (pic 5-4).
- 2) Length of belt adjustment method, as pic 5-5: shorten belt: pull the belt ② and tighten up ③; Enlargen the belt: pull the belt ②, and tighten up ①.



3) Make sure that safety belt buckle is fixed correctly before using the safety belt. It is recommended that newborns use the lowest level safety belt. pic (5-6).

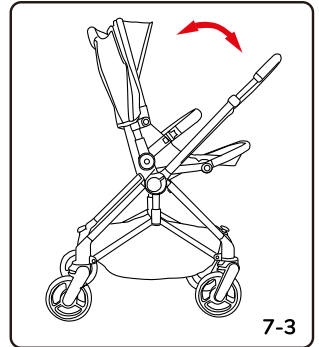
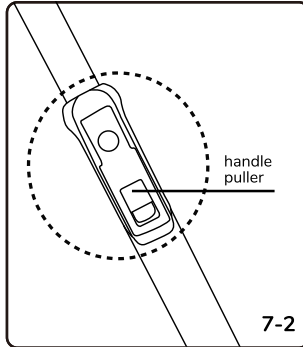
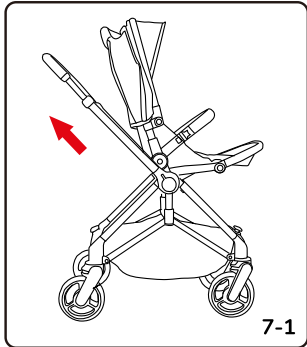


6. To attach the seat unit to the pushchair frame, hold the seat unit and insert the S plugs on either side into the pushchair frame and press it down until a "click" sound is heard. (pic 6-1, 6-2). Lift up the seat unit to check it is locked into position correctly. To remove the seat unit from the pushchair frame, press the seat unit disassembly buttons on either side, (pic 6-3) and lift up the seat unit to remove it from the frame.

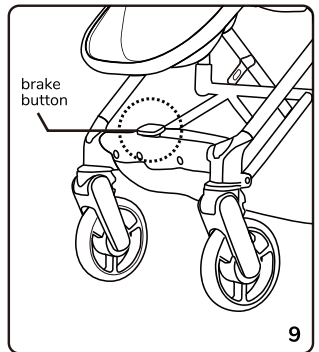
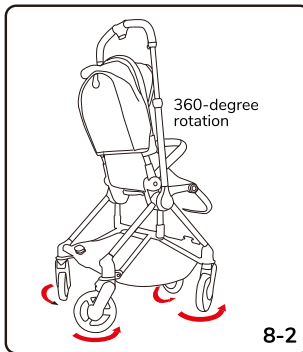
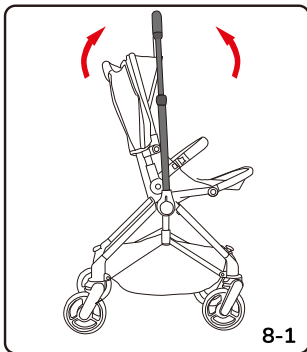


# ASSEMBLY INSTRUCTIONS

7. **Reversible Handle:** Push the handle to the highest state (pic7-1), hold down the buttons of push handle (pic7-2) and pull up the handle puller on both sides at the same time to adjust the direction of the handle (pic7-3).



8. **Four-Wheel rotation of the stroller:** Lift the handle perpendicular to the ground (pic8-1); Rotate the center position of the handle single handedly, and the four wheels are released to 360-degree rotation function (pic 8-2). This function can let the guardian turn the direction of the pushchair without changing their standing position.



9. **Brake:** press the brake button with your foot (pic9) to apply the brake, and press it again to release it. Both front and rear wheels are equipped with brake buttons.

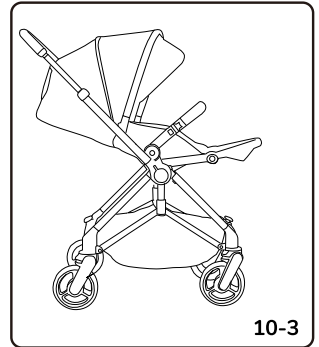
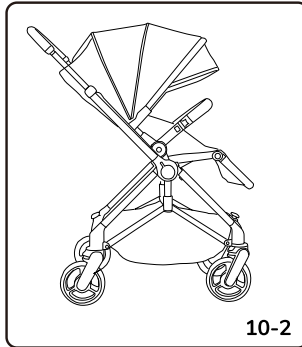
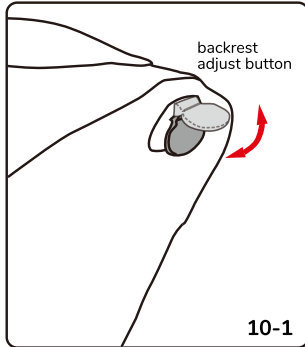
**Warning:** Please make sure the front and rear brakes are released when the pushchair is being pushed. At rest, please keep the pushchair brakes on.



# ASSEMBLY INSTRUCTIONS

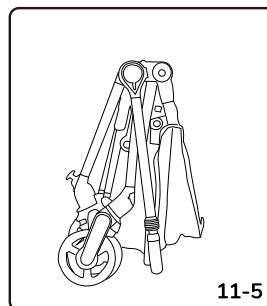
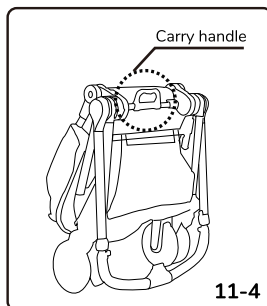
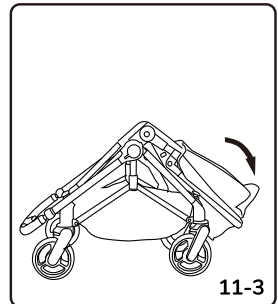
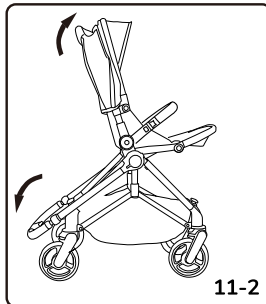
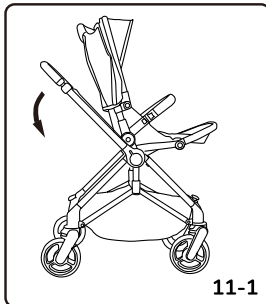
10. **Adjustment of backrest:** pull the backrest adjust button to adjust the backrest (pic10-1). The backrest has three recline positions (pic10-2~3).

**Warning:** It is not suitable for children under 6 months of age in a sitting position, as shown lying flat. Suitable for newborns.



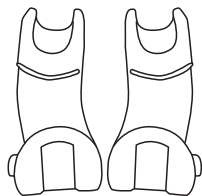
11. **Folding the pushchair:** please adjust the handle height to the lowest position (pic 11-1); Unlock the double lock and pull up the handle bar, at the same time push the handle downward and fold it down to the lowest position (pic 11-2); Pull the backrest button and fold the backrest in front of the seat (pic 11-3); Lift the folding handle up (pic 11-4), then fold and stand up (pic 11-5).

**Note:** when folding, the seat can be facing either direction.

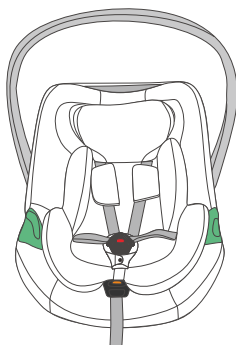


# ASSEMBLY INSTRUCTIONS CAR SEAT

---

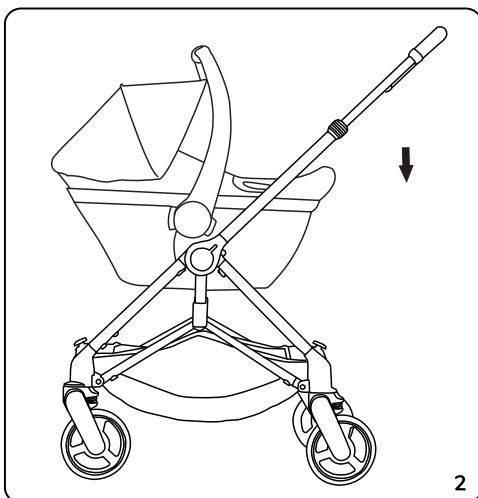
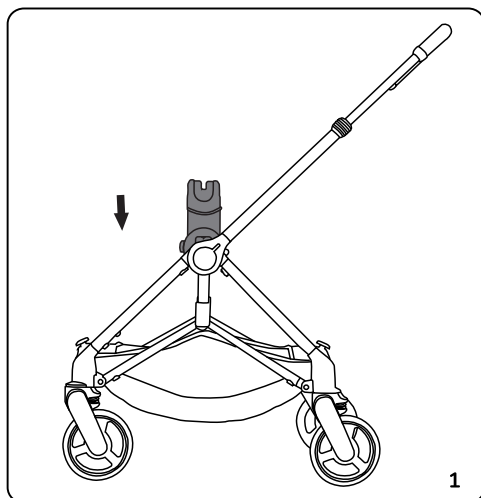


Adaptors x2



My Babiie iSize Infant carrier

1. Insert the adaptors into the stroller until you hear a click sound. After finished, please pull them up a little to make sure they are clicked into position properly, pic (1).



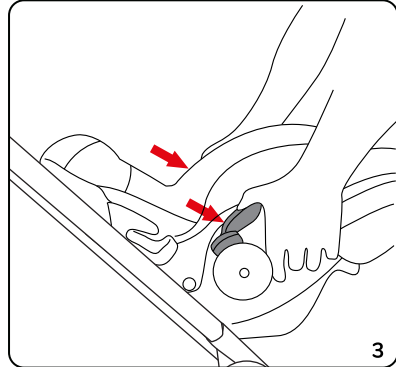
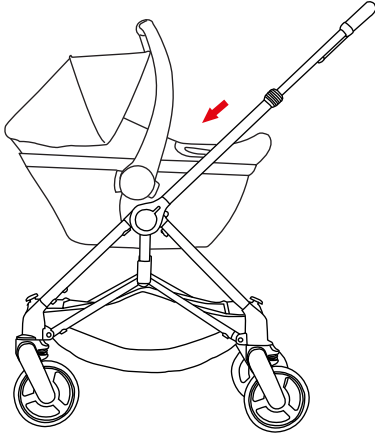
2. Align the infant carrier over the frame and adaptors then lower the car seat onto the adaptors until you hear a click sound. After finished, please pull up the car seat a little to make sure it is clicked into position properly, pic (2).

# ASSEMBLY INSTRUCTIONS CAR SEAT

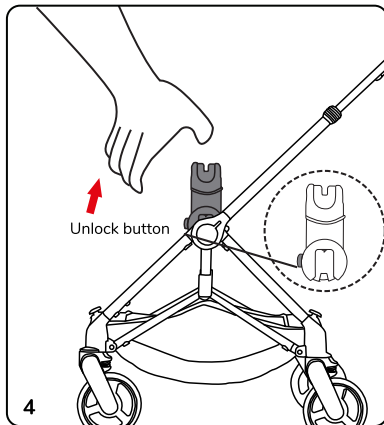
---

## Removing the car seat

1. Press the 2 buttons on the two sides of the car seat to release it from the adaptors. Lift off the car seat from the frame and adaptors. pic (3)



2. If you want to detached the adaptors, press in the buttons on the adaptor then lift up the adaptor to remove them form the frame. pic (4)



## WARNING

Please assure all the locking devices are in lock positions before use.

**WARNING** Check that the car seat attachment devices are correctly engaged before use.

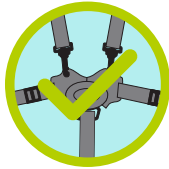
This vehicle does not replace a cot or a bed, should your child need sleep, then it should be placed in a suitable pram body, cot or bed.

# Pushchair do's & don'ts



## Do use your brakes!

Ensure the parking brake is engaged during the loading and unloading of children & when the stroller is stationary.



## Do always use the restraint system!

Ensure that the child restraint system is correctly fitted at all times.



## Do keep your stroller clean and dirt free.

Use a clean white cloth, warm water and a mild detergent to keep your stroller clean.



## Do always keep two hands on the handles when pushing.

You could lose control of your stroller if not steering with both hands.



## Do follow manufacturers instructions when assembling and using your stroller.

For safety, please refer to our instruction manuals or contact customer support if you're unsure.



## Don't use your stroller up and down stairs!

Don't use your stroller up or down stairs or to bump kerbs.



## Don't hang bags off the handles!

Bags and other items should not be hung from the handles as this can affect the stability of the stroller.



## Don't run or skate with your stroller!

Our products are not suitable for running or skating.



## Don't carry the stroller with baby inside!

Our strollers are not designed to be carried with your baby inside them.



## Don't put hot drinks in the cup holder.

Hot drinks burn and can easily spill from the bottle holder.



## Don't jetwash your stroller.

Some jet washers are very powerful and could damage parts of your stroller!



## Don't leave your child un-attended in their stroller.

Always keep your child and stroller in view to avoid accidents.



## Don't treat your stroller like a trolley.

Don't load your stroller up with all your shopping as they are not built for this purpose and could cause damage.



## Don't use your stroller as a bumper cart!

Damage can easily occur if your stroller is knocked into other things.



## Don't smoke around your stroller

We wouldn't want your stroller or little one getting hurt or damaged!



## Don't leave your stroller unattended on extreme gradients.

Even with your brakes on your stroller is at risk from tipping or sliding on extreme gradients!



## Don't sit in the strollers unless the user is under the guideline weight.

Our strollers are designed to hold a maximum weight. If exceeded this will cause damage!



## Do enjoy your product!

Go out and have fun adventures with your little one!

# MyBabiie®

For little people who dream big

## REGISTER YOUR PRODUCT AT

[www.mybabiie.com/warranties](http://www.mybabiie.com/warranties)

**In the first instance of needing assistance please  
contact your original place of purchase.**

This product qualifies for 12 month warranty  
when registered through our website

## STAY CONNECTED!



My Babiie



@MyBabiieOfficial



My Babiie



@MyBabiie



@mybabiie\_official

My Babiie Ltd  
Paddock Wood, Kent, TN12 6EN